

# PHQ

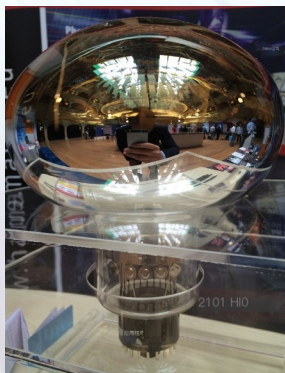
光电倍增管用集成高压电源



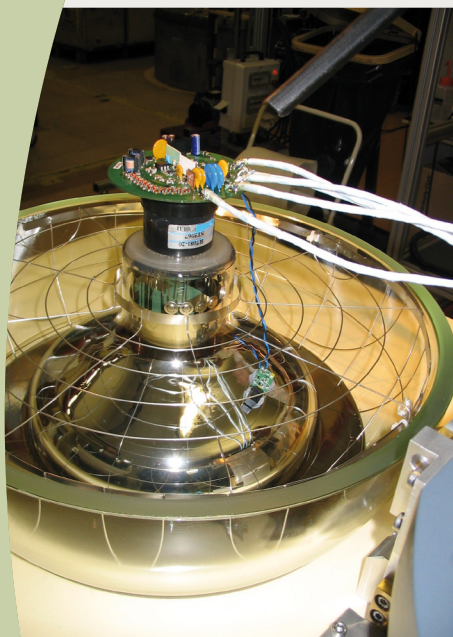
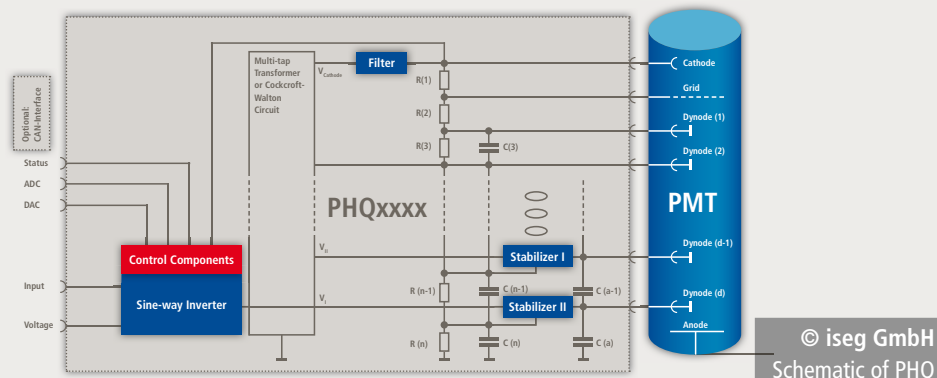
- ▶ DC/DC高压电源紧密集成在PMT插座中, 低纹波、低噪音、低EMI
- ▶ EMI
- ▶ 低功耗
- ▶ 通过稳定的倍增极电压控制和监测功能, 即使在高脉冲负载和速率下也能实现高线性
- ▶ PMT保护的安全阳极电流限制MMP系统中各种多通道
- ▶ PMT的定制设计

iseq PHQ模块被开发为现代光电倍增管 (PMT) 的直接高压电源, 高压电源集成在PMT插座中。PMT集成电源的优点是:

- ▶ 不需要高压电缆或连接器不需要单独的高压电源
- ▶ 可靠性的小型化提高
- ▶ 功耗降低了10倍, 更高的温度稳定性和热平衡



网



### SPECIFICATIONS / SPEZIFIKATION

Ripple and noise [f > 10 Hz]	< 10 mV
Stability [ $\Delta V_{out}$ ]	< $1 \cdot 10^{-4} \cdot V_{nom}$
Temperatur coefficient	< $5 \cdot 10^{-5} / K$

### TYPES / TYPEN

MODEL	PMT-TYPE	V <sub>nom</sub>	POWER DISSIPATION	DYNODES
<b>ET ENTERPRISES</b>				
<b>NEW</b> PHQ 9352	9352	2.5 kV	0.3 W	6
PHQ 9266	9266	1.3 kV	0.3 W	10
PHQ 9823	9823	2.5 kV	0.3 W	14
<b>PHOTONIS</b>				
PHQ 2960	XP2960	1.6 kV	0.4 W	8
PHQ 9266	XP3230 / 40	1.3 kV	0.3 W	10
PHQ 3112	XP3112	1.4 kV	0.1 W	10
PHQ 2020 *	XP2020	3 kV	1 W	14
<b>HAMAMATSU</b>				
PHQ 7081-10	R7081	2 kV	0.15 W	10
<b>NEW</b> PHQ 2059	R2059	3 kV	0.8 W	12
PHQ 329-02	R329-02	2.4 kV	0.5 W	12
<b>NEW</b> PHQ 580	R580	1.8 kV	0.3 W	10
<b>NEW</b> PHQ 6231	R6231	1.5 kV	0.15 W	8
<b>NEW</b> PHQ 1306	R1306	1.5 kV	0.15 W	8
<b>NEW</b> PHQ 7x8619 **	R8619	1.6 kV	1.5 W	8

DEVELOPMENT AND PRODUCTION FOR ANY OTHER PMT TYPE IN SHORT ORDER POSSIBLE. PLEASE CONTACT US!

\*<sup>1</sup> the voltage divider and terminal meet the specifications of Photonis S563, PHQ 2020 is also suitable for XP2233, XP2237, XP2254, XP2262, XP4222, XP4228 and many others

\*\* array with 7 PMTs R8619 and digital interface

